

CLIMA CANAL

COMPLETE CLIMATE CONTROL AND HIGH POWER

Heating, cooling, ventilation

Despite its modest size, Clima Canal is a powerful heating, cooling and ventilation unit all in one. Silent and unobtrusive, Clima Canal provides the greatest possible climatic comfort.

Super-compact and silent

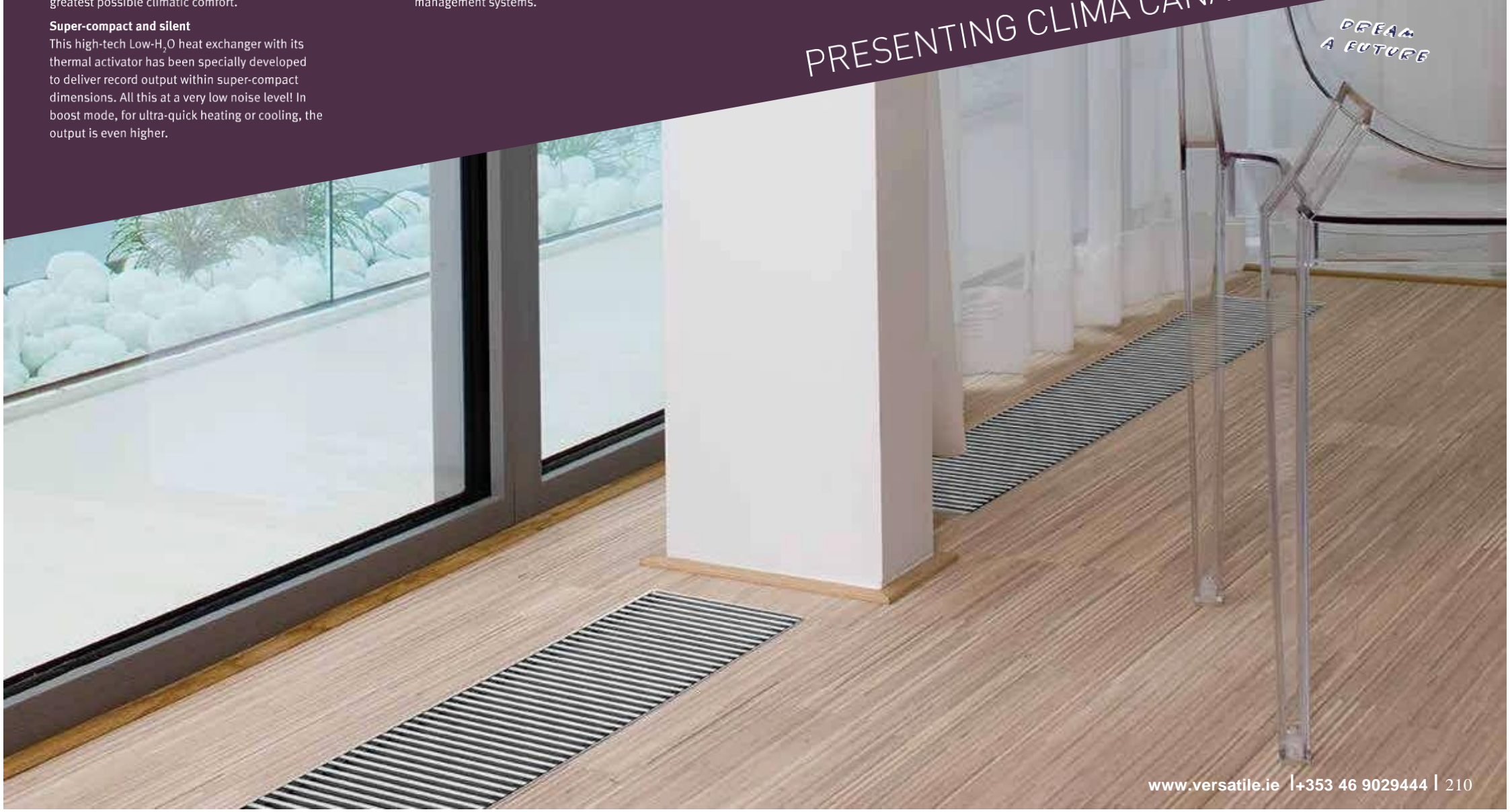
This high-tech Low-H₂O heat exchanger with its thermal activator has been specially developed to deliver record output within super-compact dimensions. All this at a very low noise level! In boost mode, for ultra-quick heating or cooling, the output is even higher.

Using the latest EC motors enables Clima Canals to consume up to 50% less electrical energy than traditional motors, and enables remote control using the latest home automation and building management systems.

versatile
group



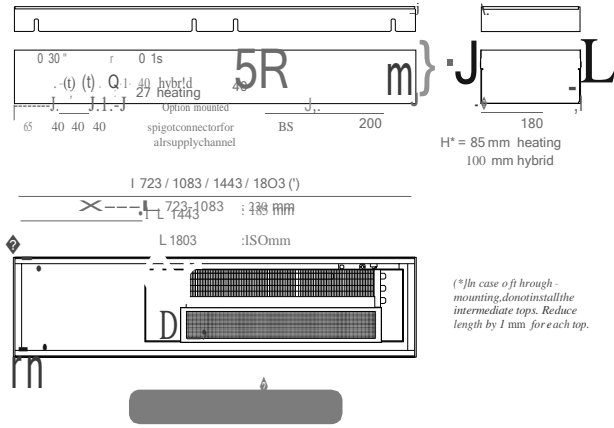
PRESENTING CLIMA CANAL



CLIMA CANAL · SUMMARY



DIMENSIONS *anmm!*



ORDERING CODE

code	height	length	width	grille
CLCM·	008	072	18	/XXX
<i>fillingrilewde .J</i>				

DELIVERY

Product is made to order, please contact our customer service team on 01531 631 533 to discuss your requirements.

HYDRAULIC CONNECTION

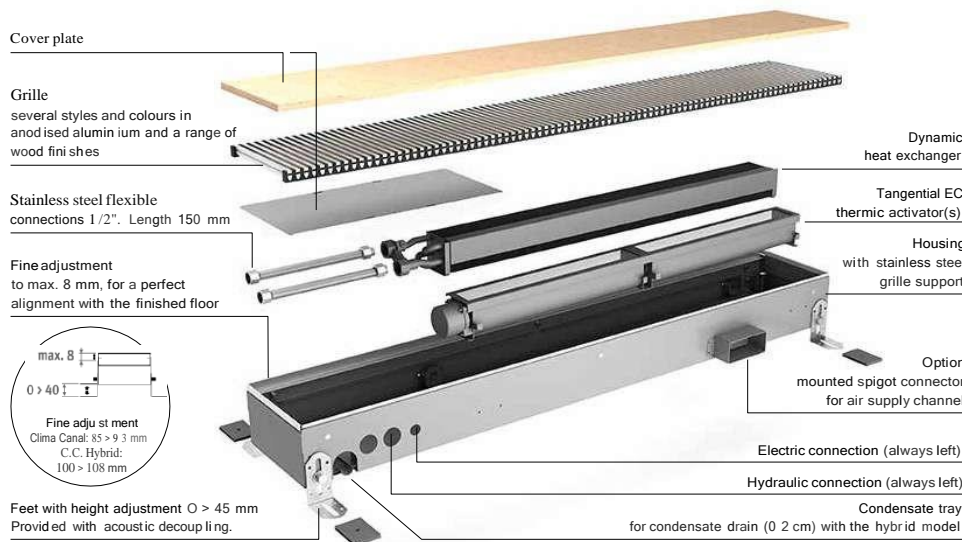
- one-sided 2-pipe connection on the left
- always install all Clima Canal with the heat exchanger on the window or wall side
- 2 x 1/2" stainless steel hose included
- allow extra space for curtains, in between the window and the canal.
- The heat exchanger must always be kept accessible for maintenance purposes

- if the appliance is not mounted flat on the floor, the space between the bottom of the appliance and the floor should be filled with a stable filler material.

ELECTRIC CONNECTION

- clamp connector for 24VDC electrical connection, left side, to be connected via external power supply.
- control of speed activator(s) 0-10V

COMPOSITION



HEIGHT 80 · OUTPUT TABLES

CLCM.HHH LLL 1 8/XXX

length	voltage	Watts	Watts	Watts	Sensible cooling 50%RH
		75/65/20°	55/45/20°	45/38/20°	
720	10	496	298	113	147
		699	419	462	244
		1075	645	462	452
1080	10	1021	613	439	303
		1438	863	618	503
		2214	1328	952	931
1440	10	1605	963	690	476
		2260	1356	972	790
		3479	2087	1496	1463
1800	10	2188	1313	941	650
		3082	1849	1325	1077
		4744	2846	2040	1995

Tested at HLK Stuttgart according to new standard EN 1643 0:2015

TECHNICAL DATA

FAN Number	SOUND PRESSURE** dB(A)			POWER CONSUMPTION Watts			AIR FLOW m ³ /h	
	10,	11	11	10,	11	4,	10,	11
80-100	720	180						
	34	28	15	1.1	2.1	0.7	70	63
	37	32	19	5.3	3.5	1.2	142	129
	39	35	20	B.6	6.1	2.2	213	191
	41	37	22	11.5	7.9	2.7	284	256

**Noise measurement according to ISO 3741:2010 with an assumed room attenuation of 8dB(A) / room volume 75 m³ / reverberation time 0.5 sec. Correction factors & pressure drop: see "Technical info" chapter

OVERVIEW GRILLES

Wooden grilles

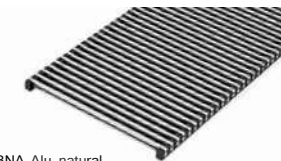


BON Oak
BOV Oak varnished

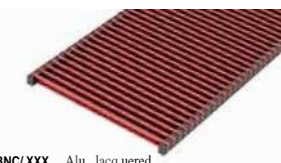


BBN Beech
BBV Beech varnished

Aluminium grilles



BNA Alu. natural



BNC/XXX Alu. lacquered



Fully removable internal mechanism for easy cleaning.



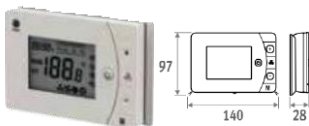
CLIMA CANAL - OPTIONS

CLOCK THERMOSTATS HEATING/ COOLING

The general characteristics in bold below are valid for the thermostats 8751.050013 - 8751.050012 - 8751.050009

- automatic thermostat for 2-pipe: heating /cooling or auto
- ventilator speed : min./ me d./max. or auto
- **power supply 24 VDC**
- **output control(s) 0-10 VDC**
- 1 clock thermostat per room
- programmable zones
- **LCD display with background lighting**
- protection category IP30

Jaga clock thermostat for wall mounting



- 2 potential-free contacts heating/cooling (f.e. valve control 24 VDC or 230 VAC)
- with key card contact/ window contact
- can be mounted on a junction box with screw holes at 60 mm

CODE
8751.050013 wall mounted

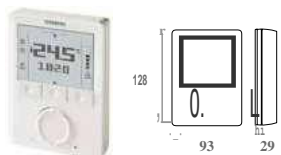
Jaga clock thermostat for recessed/ panel mounting



- control valves 24 VDC heating/cooling
- thermostat to be mounted in a junction box
- spacing holes at 60 mm
- minimum depth 45 mm
- inner dimension 50 x 50 mm or 0 60 mm

CODE
8751.050 012 recessed/panel mounted

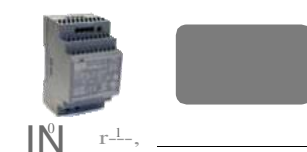
Siemens clock thermostat for wall mounting



- unlimited adjustment possibilities: 74 features and diagnostic test
- For more information contact Jaga Phone: 011531631533 Email: jaga@jaga.co.uk Website: www.jaga.co.uk

CODE
8751.050009 wall mounted

POWER SUPPLY DIN-RAIL MOUNTAGE



CODE

- for DIN-rail or wall mounting
- conformity: UI60950 / UI 508 / IEC 60950-1 / TUV EN61558-2-16 / Class 2
- output voltage 24 VDC / input 100 - 240 VAC
- screw connection and LED indicator

CODE	Output Watts	Output current A
7990.054	36	1.5
7990.055	60	2.5
7990.056	92	3.9

Required power = sum of the power consumption of the devices

SEPARATE POWER SUPPLY

Water proof power supply 24 VDC/30 Watt with waterproof cable gland.



A

Not suitable for installation in the floor duct.

- conformity: UI60950 - EN 60950 / Class 2
- output voltage 24 VDC
- input voltage 100 - 240VAC
- dimensions L 145 x B 45 x H 30 mm

CODE	output Watts	Output current A
37603.010002	30	1.25

PRE-ASSEMBLED JAGA DYNAMIC PRODUCT CONTROLLER (JDPC)

Multifunctional controller for dynamic heating and cooling devices provided with one or more built-in fans. The Jaga Dynamic Product Controller is pre-configured and assembled inside the device. The configuration options are device dependent, and are selected using the code shown on the sticker in the device.

- control per appliance
- control with operation and with sensor for water temperature, pre-configured and assembled by Jaga
- power supply 24 VDC
- ventilator settings:
 - o standby
 - o heating: 3 speeds (operates at water temperature >28 °C, can easily be modified)
 - o cooling: 3 speeds (operates at water temperature <18 °C, can easily be modified)
- 0-10 V input for building management system/thermostats/DP C.CC/1-72

For more information contact Jaga Phone: 011531 631 533 Email: jaga@jaga.co.uk Website: www.jaga.co.uk

CODE	Product
DPC.CC24	Heating
DPC.CC25	Heating and cooling



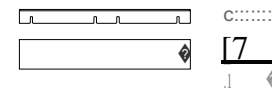
RECOMMENDED COMBINATIONS

	Heating and/or cooling	
	Including thermostat for readjustment	Excluding thermostat
Product	Clima Canal	Clima Canal
Regulation	Thermostat heating / cooling Ordering code 8751.050009	Pre-mounted JDPC with control panel OPC.CC24 for heating or OPC.CC25 for heating and cooling
Power supply	Power supply: ordering code 37603.010002	Power supply: ordering code 37603.010002
Connection set	Connection set 97 with 24 VDC 0-10V motor CODY.JA4.10.2T fillinsle eve coupling code: see p. 325)	Connection set 99 with 2 lockshields CODY.LOM.0.0.2T fillinsle eve coupling code: see p.3 25)

CLIMA CANAL - OPTIONS

EMPTY HOUSING

To fill open spaces for a continuous installation.



- aluminium or Design wooden grille
- casing with stainless steel grille support
- height adjustment:
 - o Clima Canal 85 > 133 mm
 - o Clima Canal Hybrid 98 > 146 mm
- fine adjustment for alignment with the finished floor
- cover plate

empty housing Clima Canal

code height length width grille
ORDERING CLCD. 008 072 18 BNA
CODE

Available in same dimensions as complete units.

MOUNTED SPIGOT CONNECTOR FOR AIR SUPPLY CHANNEL

Height 4 x length 9 cm



CODE
/VEN

Add /VEN to the code of Clima Canal.
Example, CLCM. 008 072 18 /XXX /VEN

CORNER PIECE



- aluminium grille natural or lacquered
- casing with stainless steel grille support
- height adjustment:
 - o Clima Canal 85 > 133 mm
 - o Clima Canal Hybrid 98 > 146 mm
- fine adjustment for alignment with the finished floor

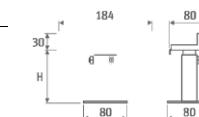
Corner piece Clima Canal

CODE
CLCD.008 025 18/8NA Alu. natural
CLCD.008 025 18/8NC/.. ,1 enter colour code

Corner piece Clima Canal Hybrid

CODE
CLCD.010 025 18/8NA Alu. natural
CLCD.010 025 18/8NC/.. ,1 enter colour code

FEET WITH HEIGHT ADJUSTMENT FOR RAISED FLOORS



- lacquered in dark grey RAL 7024.
- easy installation by means of screws
- 1 set includes 2 height adjusting controls

Number of sets per Clima Canal

r-T 1720 = 1 set
L 1200 = 1 set
L 1500 = 2 sets
L 1800 = 2 sets

CODE	Height
5209.05070000	50 > 70 mm
5209.08130000	80 > 130 mm
5209.13230000	130 > 230 mm
5209.20300000	200 > 300 mm