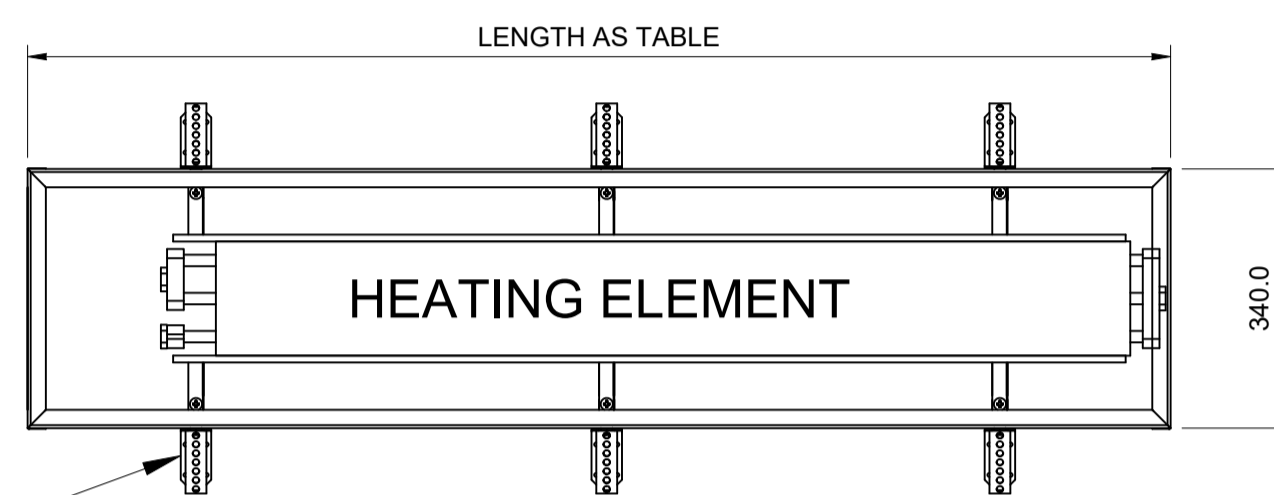
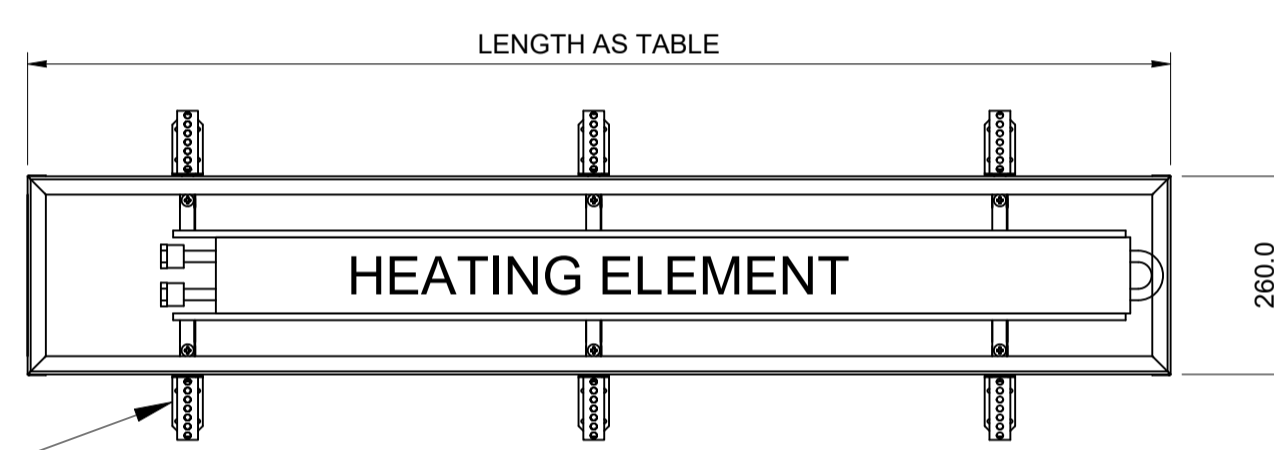


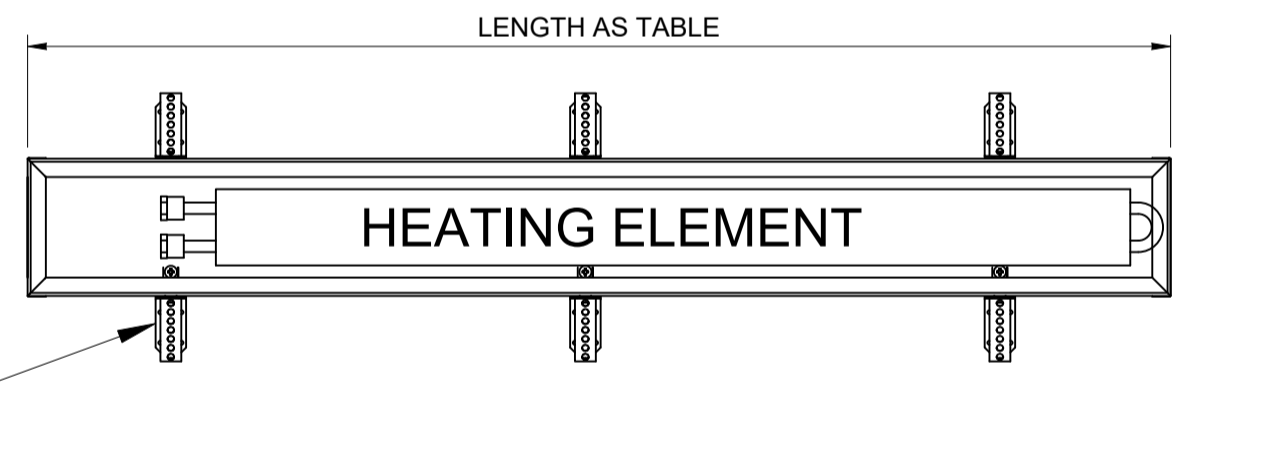
HEIGHT ADJUSTER & ANCHOR STRAPS (OPTIONAL)



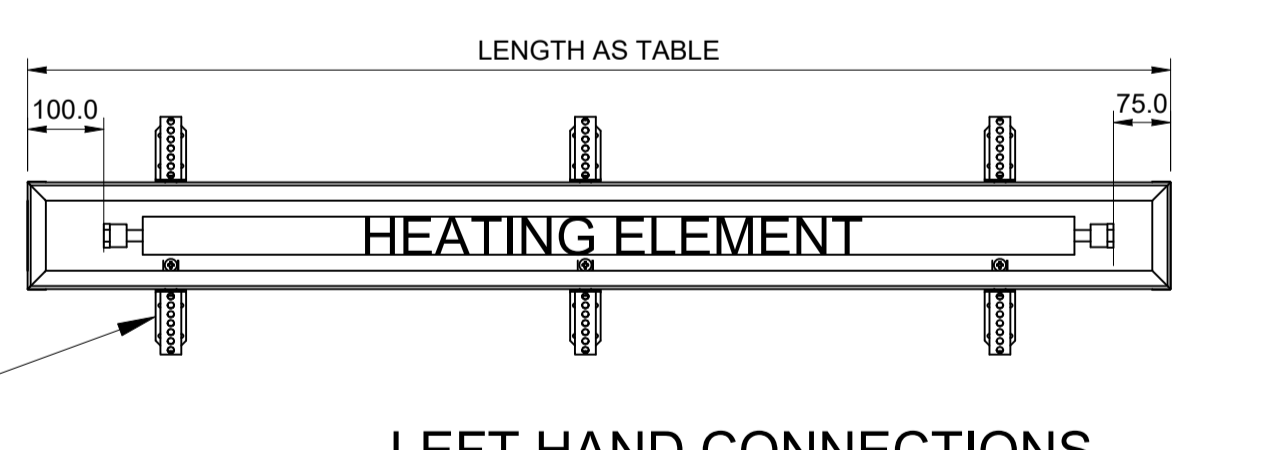
HEIGHT ADJUSTER & ANCHOR STRAPS (OPTIONAL)



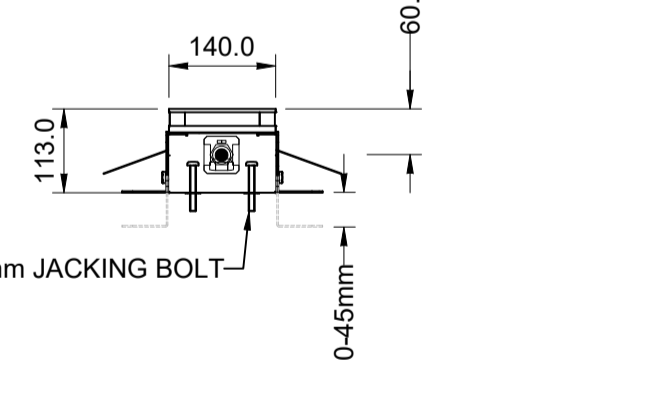
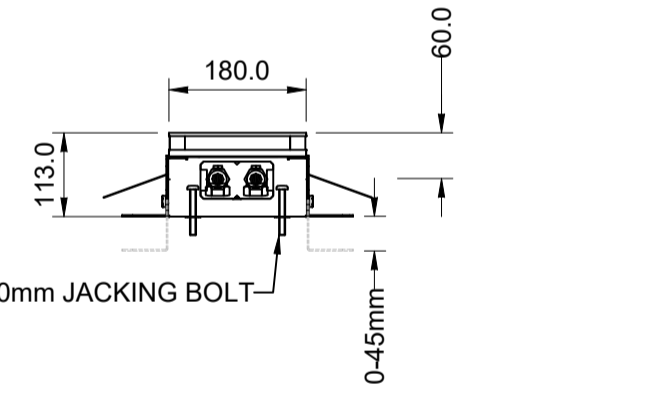
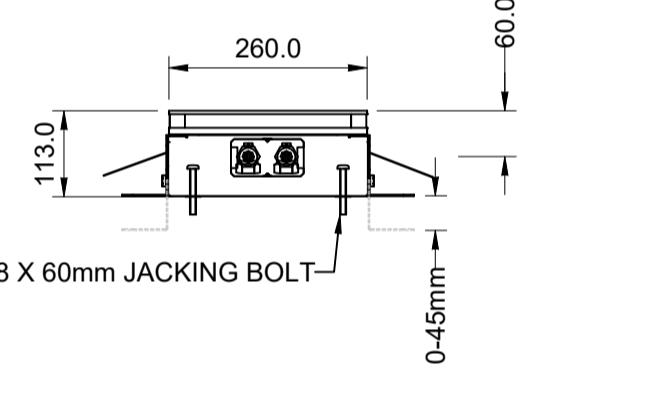
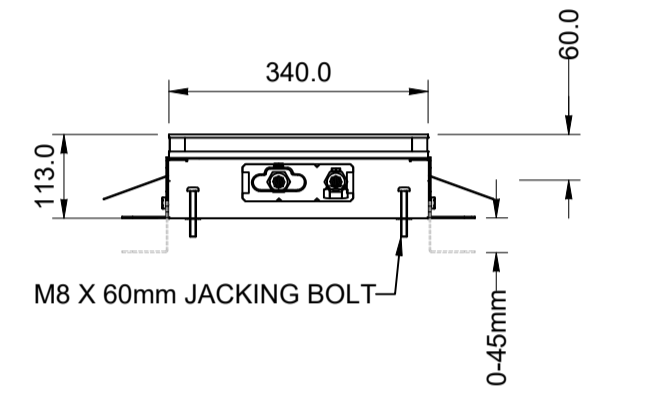
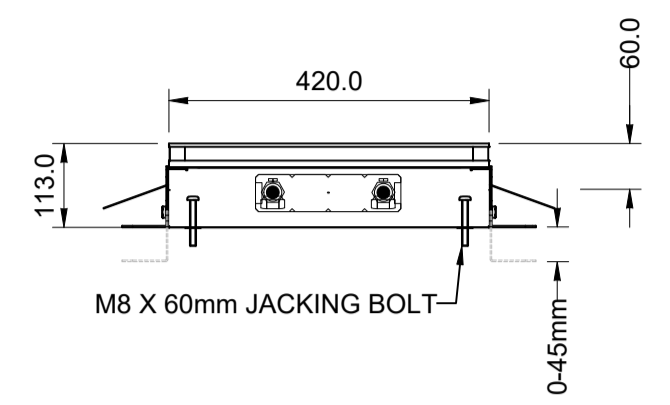
HEIGHT ADJUSTER & ANCHOR STRAPS (OPTIONAL)



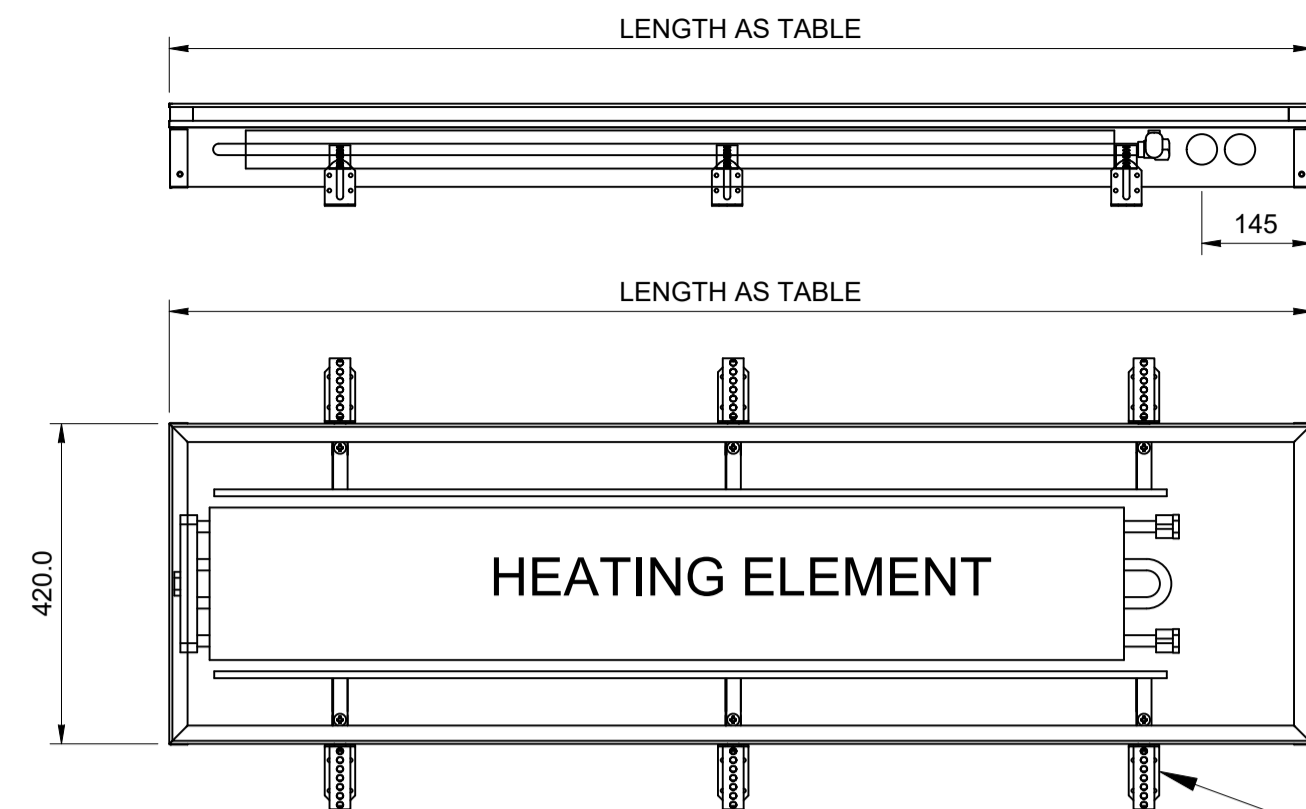
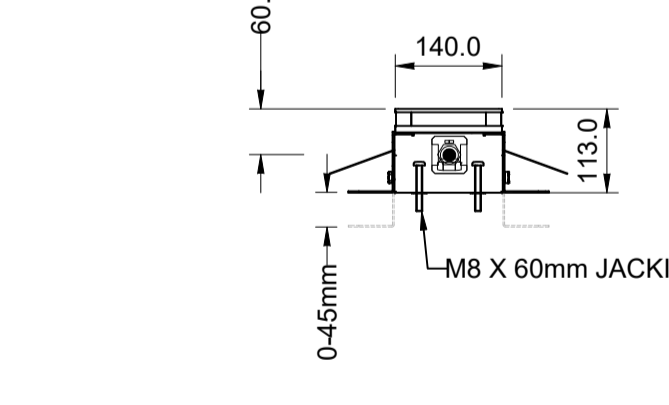
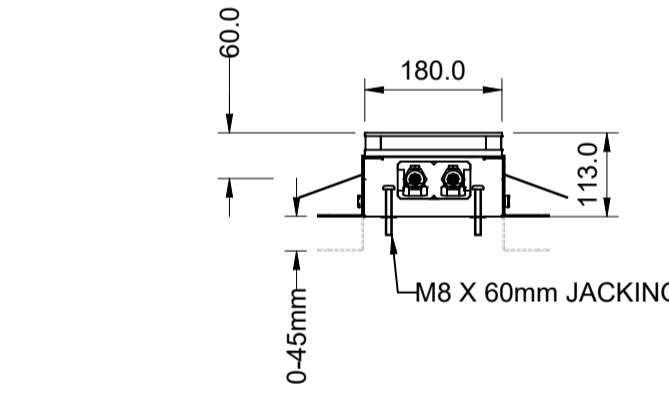
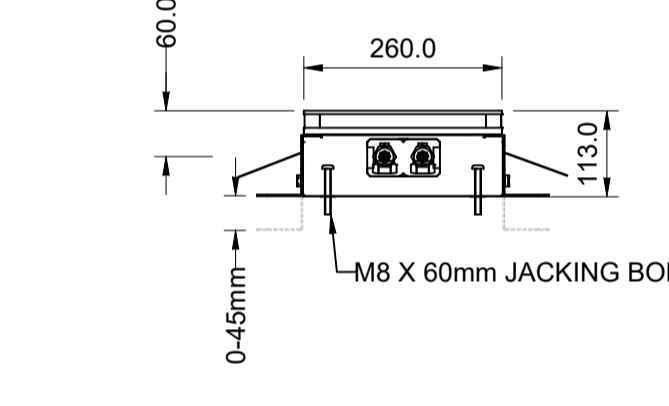
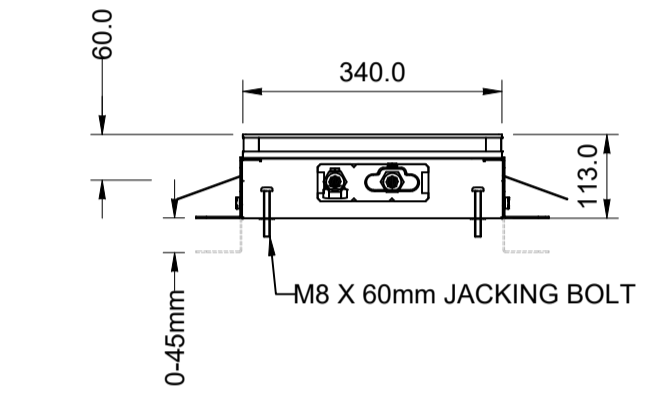
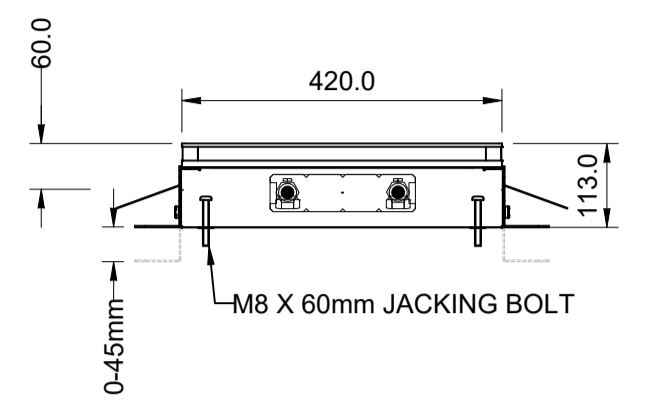
HEIGHT ADJUSTER & ANCHOR STRAPS (OPTIONAL)



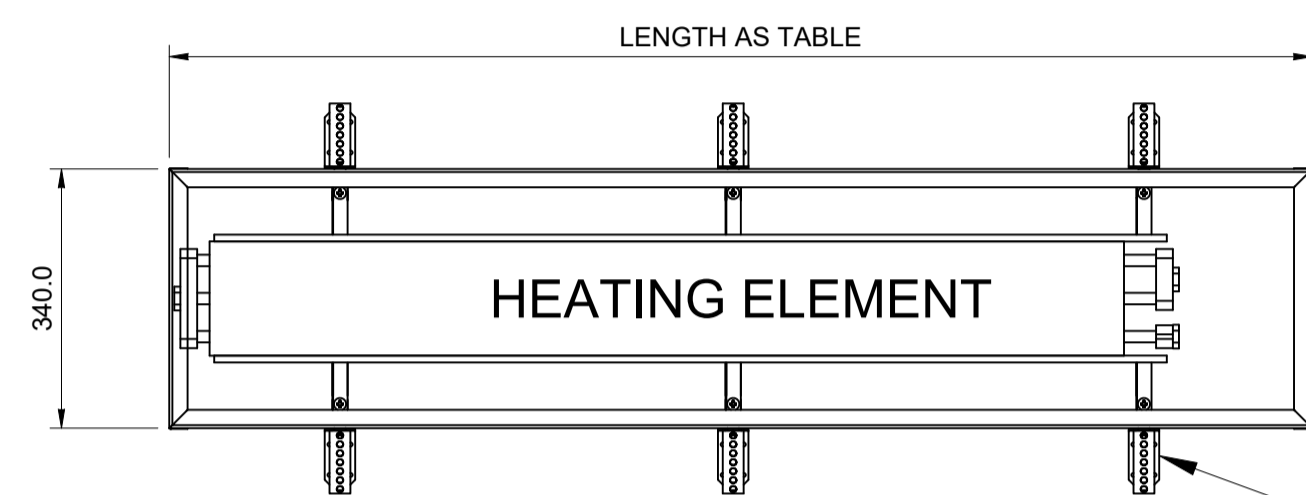
HEIGHT ADJUSTER & ANCHOR STRAPS (OPTIONAL)



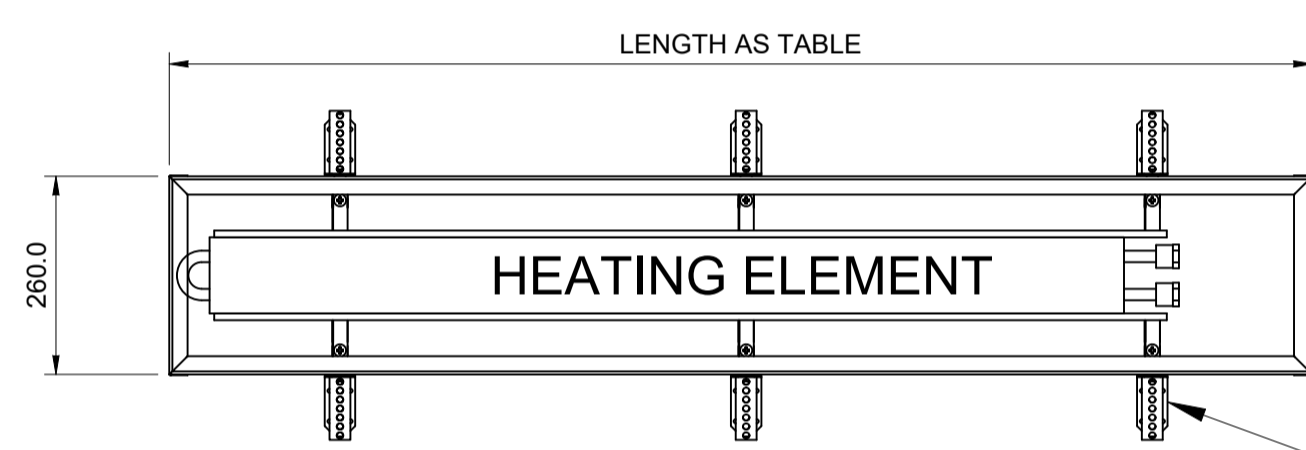
MINI CANAL H011 STANDARD LENGTHS
700mm
800mm
900mm
1000mm
1100mm
1200mm
1300mm
1500mm
1700mm
1900mm
2100mm
2300mm
2500mm
2700mm
2900mm
3100mm
3300mm
3500mm
3700mm
3900mm
4100mm
4300mm
4500mm
4700mm
4900mm



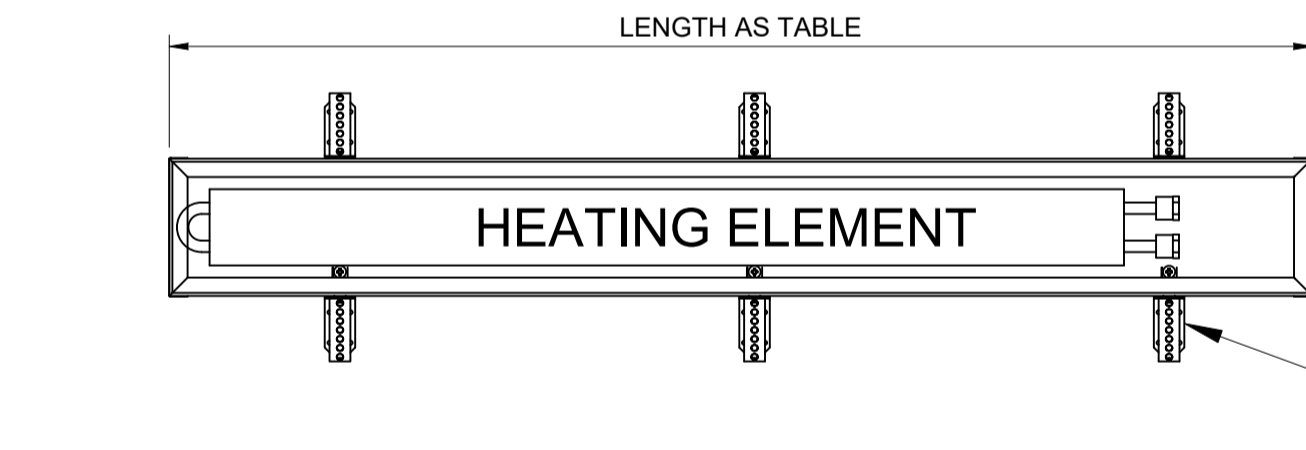
HEIGHT ADJUSTER & ANCHOR STRAPS (OPTIONAL)



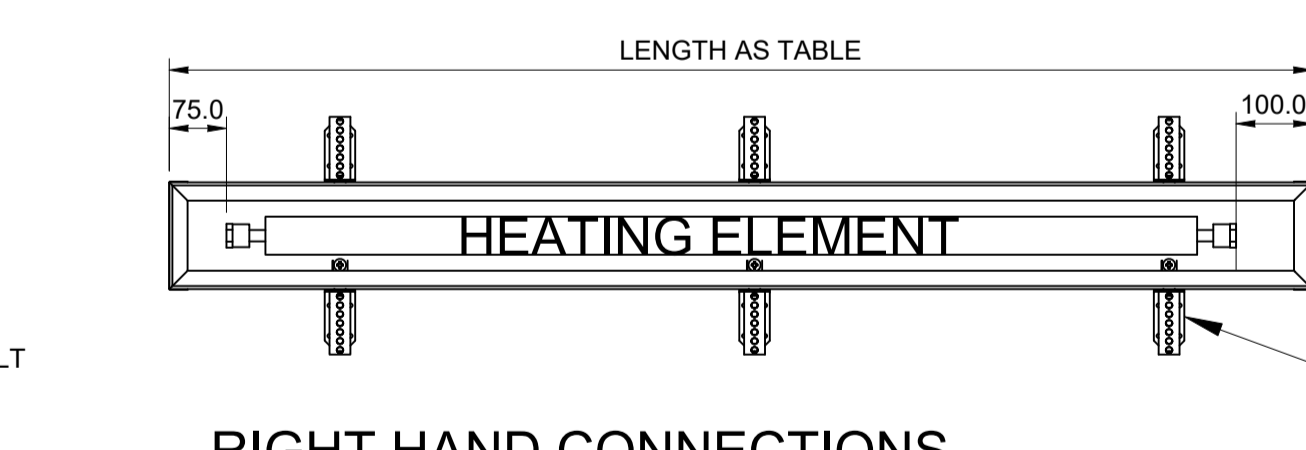
HEIGHT ADJUSTER & ANCHOR STRAPS (OPTIONAL)



HEIGHT ADJUSTER & ANCHOR STRAPS (OPTIONAL)



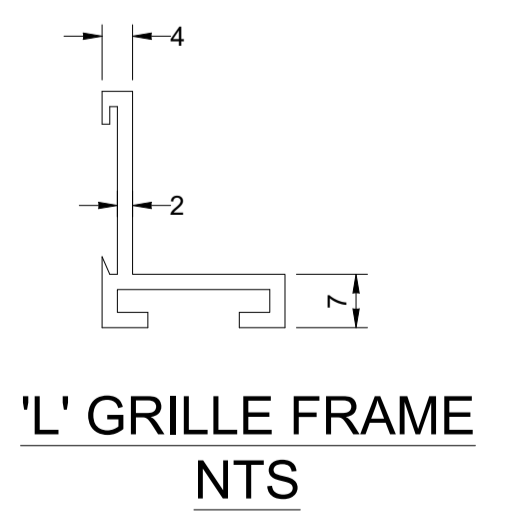
HEIGHT ADJUSTER & ANCHOR STRAPS (OPTIONAL)



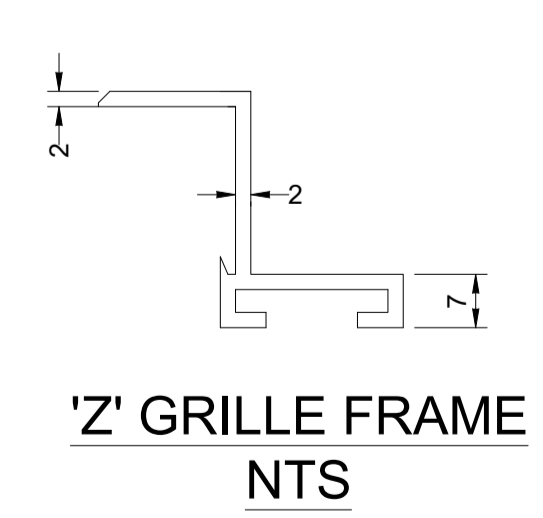
HEIGHT ADJUSTER & ANCHOR STRAPS (OPTIONAL)

LEFT HAND CONNECTIONS

RIGHT HAND CONNECTIONS

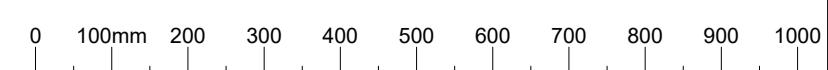


'L' GRILLE FRAME NTS



'Z' GRILLE FRAME NTS

- NOTES**
1. THE GRILLES ARE NOT SHOWN ON THE DRAWING BUT CAN BE TURNED ON BY TURNING THE RELEVANT GRILLE LAYER ON.
 2. ALL JAGA MINI CANAL HEATING COME PREASSEMBLED FOR EASE OF INSTALLATION.
 3. WHERE LENGTHS ARE OVER 4900mm LONG THEY WILL BE MADE UP OF MULTIPLE UNITS AND THEREFORE MULTIPLE HEAT EXCHANGERS.
 4. EACH UNIT HAS A HEATING ELEMENT WITH SAME END 1/2" BSP CONNECTIONS AND WILL NEED TO BE CONNECTED TO LPHW CIRCUIT IN PARALLEL.(OPPOSITE END CONNECTIONS ARE AVAILABLE BY CONTACTING JAGA HEATING - APART FROM 140 WIDE HAS OPPOSITE END CONNECTIONS AS STANDARD)
 5. UNITS COME COMPLETE WITH HEIGHT ADJUSTERS FOR LEVELLING AND ARE ADJUSTABLE FROM 0-45mm.
 6. ALL UNITS ARE NATURAL CONVECTION.
 7. THE COLOUR OF THE TRENCH IS RAL7024.
 8. THE TRENCH SHOWN IS 'L' GRILLE FRAME.



0 FIRST ISSUE		A.SAXELBY	06/07/15
REV.	DESCRIPTION	REV. BY	DATE
PROJECT REF. MINI CANAL H011		SHEET NO. 1 of 1	SIZE A1
CUSTOMER: / DESCRIPTION MINI CANAL H011		DRAWING NO. MICA011	REV 0
LEDBURY, HEREFORDSHIRE		TEL. +44 (0)1531 631 533	DATE: 06/07/15
		FAX. +44 (0)1531 631 534	INIT: A.S. SCALE: 1:10

