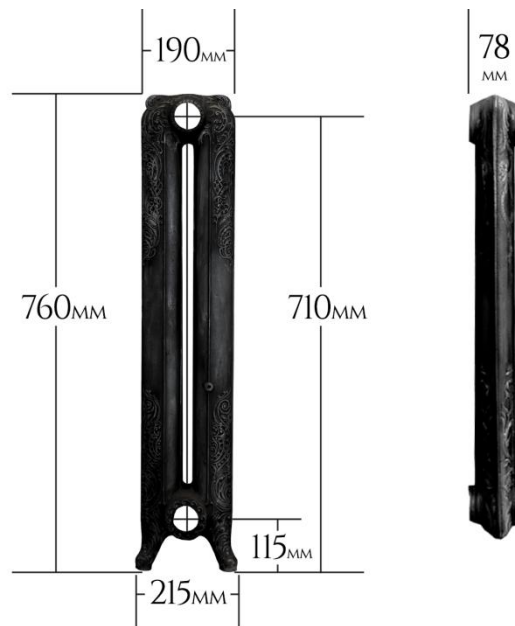




**Beaumont**  
cast iron

# THE ROCOCO ROYALE

## SIZE CHART



### RR 2760

SECTIONS	LENGTH MM	BTUs @ $\Delta T60$	WATTS @ $\Delta T60$
1		522	153
2		1044	306
3	266	1566	459
4	344	2088	612
5	422	2610	765
6	500	3132	918
7	578	3654	1071
8	656	4176	1224
9	734	4698	1377
10	812	5220	1530
11	890	5742	1683
12	968	6264	1836
13	1046	6786	1989
14	1124	7309	2142
15	1202	7830	2295



## OVERVIEW

All Beaumont cast iron radiators are carefully hand built to your own required BTUs and fully assembled ready for plumbing into your new or existing pipework.

Burnishing is the optimum finish for the Rococo Royale to accentuate the detailed scrollwork. Burnishing paste is carefully applied by hand over a darker base coat.

The Rococo Royale can be finished in a variety of colours – metallic, Farrow & Ball range, RAL colours or primed for onsite painting.

Because each radiator section is specially hand cast there may often be a slight variation in the length of each radiator once built (end bush to end bush), please allow for this in your pipework fittings.

DEPTH OF SECTION FROM SKIRTING BOARD = 210MM

SECTION WIDTH = 78MM

WEIGHT = 10.5KG