

All dimensions shown are in millimetres

All brass construction: **dia 31.8mm round tubes**
 Connection: **1.2m long flying lead (3 core)**
 Immersion heater rating: **IPX4 or better**

Model	Height* ± 2mm	Width ± 2mm	Finish	Output Watts	Weight kg
BUCKE/F-075-050	750	500	chrome	150	10

Issue 1.0



Tools & Material Required

Screwdriver - flathead
Electric drill
Masonry drill bit

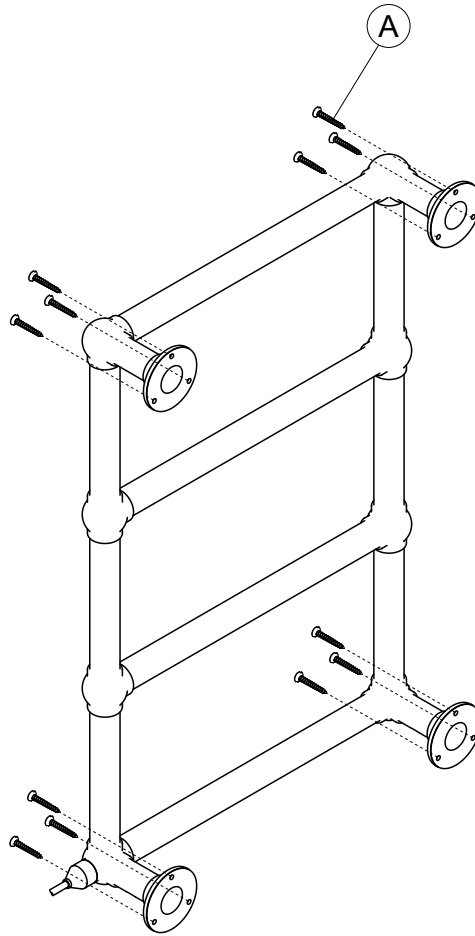
Key

A Screw

Component

Qty

12



Assembly Instructions

Accurately mark out bracket holes on wall.

Drill twelve fixing holes. Screws (A) are supplied but ensure that appropriate fixings are used for the type of wall the radiator is being mounted on.
Screw radiator to wall.

Electric radiators should be fitted only by a qualified electrician and must be earthed and connected to a cable outlet in the bathroom in accordance with I.E.E. wiring regulations. The electrical connection should be made to a '5 amp fused fixed spur' located outside the bathroom.

Note: for maintenance purposes, cable outlets must remain accessible and cables must not be buried directly into walls.